



// ONE BRAND // ONE SOURCE // ONE SYSTEM

REMA PERFORMANCEgrip 70/CN - Premium Pulley Lagging Material

REMA PERFORMANCEgrip 70/CN is more than a true all-rounder. The new premium pulley lagging material can be used as a lining material for driven and non driven pulleys in the wet as well as in the dry processing and can also withstand heaviest operating conditions. The profiling allows a high capacity for dirt absorption and in combination with excellent abrasion resistance and improved elongation to break, long service life is achieved. REMA PERFORMANCEgrip 70/CN is suitable for high tension and critical pulley applications.

PROPERTIES

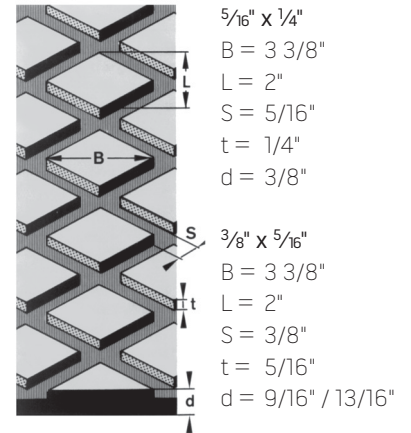
- Reduces slippage between belt and pulley
- Improves and stabilizes coefficient of friction
- Evacuation of moisture and dirt
- Protects the pulley from wear and corrosion
- Prevents material build-up
- Positive influence on belt tracking
- Deep grooving to handle large amounts of dirt and provide long operating life
- Simple and easy to bond with REMA TIP TOP Premium bonding layer
- Excellent abrasion resistance
- Improved elongation at break
- Extraordinary high tear growth resistance

AREAS OF APPLICATION

- Grooved rubber lagging for drive pulleys
- Long belt conveyors
- Large pulley diameters (from 31.5")
- For high-tension fabric and steel cord belts of all strengths



REMA PERFORMANCEgrip 70/CN



REMA PERFORMANCEgrip 70/CN

TECHNICAL PROPERTIES (The listed technical data, are average values)

Color		Black
Polymer Basis	DIN ISO 1629	NR/BR
Hardness	DIN ISO 7619-1	65 Shore A
Tensile Strength	DIN 53 504	2900 PSI
Elongation at break	DIN 53 504	560%
Tear Growth Resistance	ISO 34-1 Method A	28 N/mm
Abrasion	DIN ISO 4649	35 mm ³
Specific Weight	DIN EN ISO 1183-1	1.12 g/cm ³
Profile		$5/16" \times 1/4"$ or $13/8" \times 5/16"$ (Profile 50)

Ref. No.	Designation	Dimensions	Profile	Weight
521 0407	REMA PERFORMANCEgrip 70/CN	$3/8" \times 78" \times 33'$	$5/16" \times 1/4"$	2.09 lb/ft ²
521 0412	REMA PERFORMANCEgrip 70/CN	$5/8" \times 78" \times 33'$	$5/16" \times 1/4"$	3.25 lb/ft ²
521 0417	REMA PERFORMANCEgrip 70/CN	$5/8" \times 78" \times 33'$	$3/8" \times 5/16"$	2.95 lb/ft ²
521 0422	REMA PERFORMANCEgrip 70/CN	$3/4" \times 78" \times 33'$	$3/8" \times 5/16"$	4.16 lb/ft ²

REMA TIP TOP/North America, Inc.

1500 Industrial Blvd. • Madison, GA 30650 • Phone 800.334.REMA (7362) • 706.752.4000 • Fax 706.752.4015 → www.rematiptop.com