

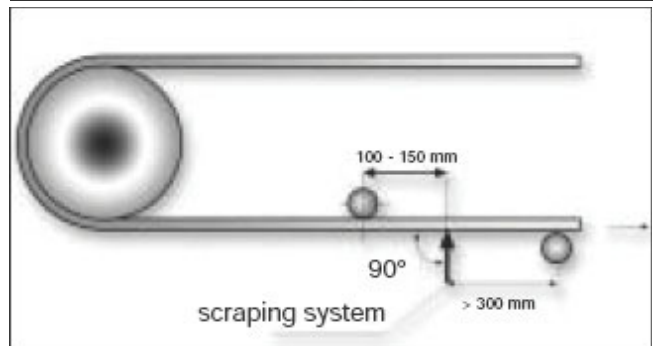
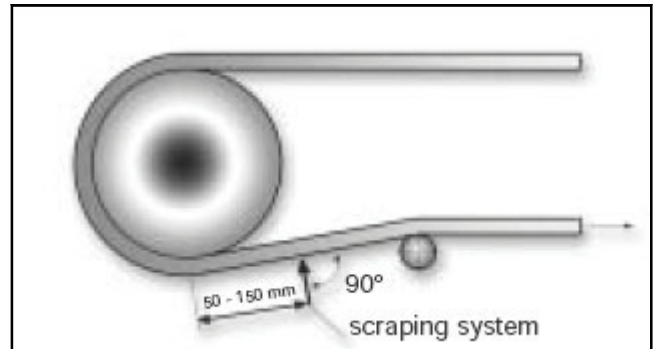
REMACLEAN

KWA T-Bar Conveyor Belt Scraper

All Remaclean T-Bar belt cleaning systems have been developed to offer outstanding cleaning performance at an economical price. The KWA T-Bar Scraper actually gives you 3 highly abrasion resistant rubber scraping surfaces for the price of one and is easy to install and maintain.



Installation positions:



Precision Tensioner:

- Adjustable for optimum setting of angle of scraper to conveyor belt



Standard Tensioner:

- Integrated rubber spring to provide even blade pressure.



Areas of Application:

- For conveyor belt widths from 24" through 60"
- Works well with both hot vulcanized splices and metal clips
- For belt speeds up to 490 f.p.m.
- Do not use on reversing belts

Product Features:

- Three scraping surfaces available by rotating the T-Bar
- Quick scraper bar change-out
- Long service life due to abrasion resistant rubber scraping bar
- Excellent price to performance ratio
- Two different tensioning units available

