



// ONE BRAND // ONE SOURCE // ONE SYSTEM

REMA PERFORMANCEgrip 70/CN - SL - Strip Lagging

REMA PERFORMANCEgrip 70/CN - SL is a premium strip lagging based on the new premium pulley lagging material REMA PERFORMANCEgrip 70/CN. Engineered with the excellent abrasion resistance, elongation to break and significantly improved evacuation of water, moisture and dirt through additional horizontal grooves. It's deep diamond profile and additional longitudinal grooves protect drums effectively and ensure stability in conveyor belt operation. The 13.5" width of the strips offer flexibility to cut to any drum width - both in the workshop and directly on site.

PROPERTIES

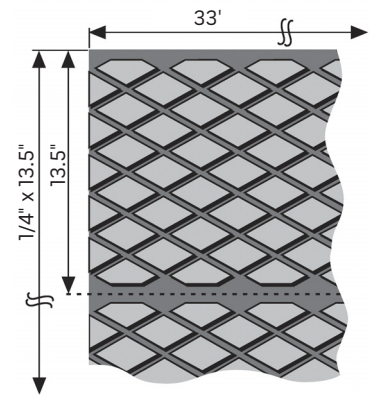
- Reduces slippage between belt and pulley
- Improves and stabilizes coefficient of friction
- Evacuation of moisture and dirt
- Protects the pulley from wear and corrosion
- Prevents material build-up
- Positive influence on belt tracking
- Deep grooving to handle large amounts of dirt and provide long operating life
- Simple and easy to bond with REMA TIP TOP Premium bonding layer
- Excellent abrasion resistance
- Improved elongation at break
- Extraordinary high tear growth resistance

AREAS OF APPLICATION

- Grooved rubber lagging for drive pulleys
- Long belt conveyors
- Large pulley diameters (from 31.5")
- For high-tension fabric and steel cord belts of all strengths
- Pulley width up to 33' without circumferential seam
- No loss when cutting to individual pulley width
- Joint sealing with the well-proven T2-System



REMA PERFORMANCEgrip 70/CN - SL



REMA PERFORMANCEgrip 70/CN - SL

Can be cut to size for strip lagging of the pulley (also on the equipment).
Easy to cut to size with rubber cutting device Type 32 and attachment.

TECHNICAL PROPERTIES (The listed technical data, are average values)

Color		Black
Polymer Basis	DIN ISO 1629	NR/BR
Hardness	DIN ISO 7619-1	65 Shore A
Tensile Strength	DIN 53 504	2900 PSI
Elongation at break	DIN 53 504	560%
Tear Growth Resistance	ISO 34-1 Method A	28 N/mm
Abrasion	DIN ISO 4649	35 mm ³
Specific Weight	DIN EN ISO 1183-1	1.12 g/cm ³
Profile		5/16" x 1/4" (Profile 50)

Ref. No.	Designation	Dimensions
521 0306	REMA PERFORMANCEgrip 70/CN - SL	3/8" x 81" x 33'
521 0311	REMA PERFORMANCEgrip 70/CN - SL	5/8" x 81" x 33'
521 0316	REMA PERFORMANCEgrip 70/CN - SL	3/4" x 81" x 33'

REMA TIP TOP/North America, Inc.

1500 Industrial Blvd. • Madison, GA 30650 • Phone 800.334.REMA (7362) • 706.752.4000 • Fax 706.752.4015 → www.rematiptop.com