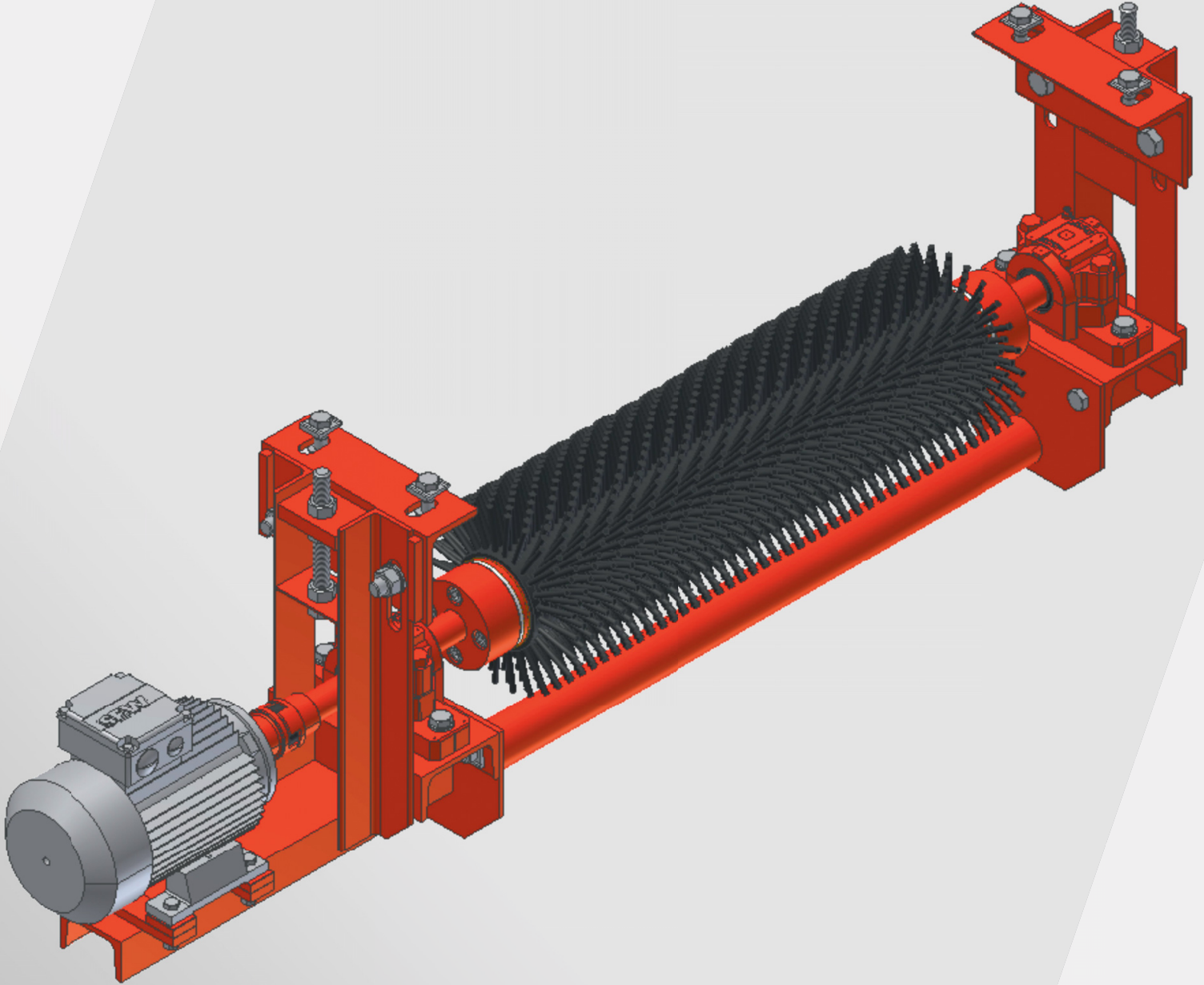




// ONE BRAND // ONE SOURCE // ONE SYSTEM



REMACLEAN GRB BELT CLEANING BRUSH

A cleaning brush assembly driven by an electric motor that rotates in the opposite direction of belt travel. Ideal for removing fine or powdery material.

REMACLEAN GRB BELT CLEANING BRUSH

PRODUCT OVERVIEW

- Belt cleaning brush with direct drive from electric motor
- Ideal for cleaning of fine, powdery and sticky materials
- Ideal in combination with a primary belt cleaning system, especially with wet materials
- High flexibility of the rubber bristles ensure belt friendly cleaning
- Self-cleaning
- Special versions available for cleated belts and contact with food

TYPICAL APPLICATIONS

- Belts with vulcanized or mechanical splices operating at speeds up to 500 fpm
- Applications with fine, powdery and sticky materials
- Cleated belts

Recommended Uses

Type of cleaning system?	Fine
Suited for reverse operation?	Yes
Suitable for Mechanical Fasteners?	Yes
Available for food industry?	Yes
Suitable for Oily and greasy materials?	Limited suitability
Sand/Gravel (dry)	Recommended
Sand/Gravel (wet)	Recommended
Coal (raw)	Recommended
Lignite/tailling	Limited suitability
Ore	Limited suitability
Sinter	Not Recommended
Cement	Recommended
Waste	Limited suitability

Brush Assemblies

Part Number	Description	Belt Width
578 5038	REMACLEAN GRB Brush Assembly	30" to 36"
578 5045	REMACLEAN GRB Brush Assembly	36" to 42"
578 5052	REMACLEAN GRB Brush Assembly	42" to 48"
578 5069	REMACLEAN GRB Brush Assembly	48" to 54"
578 5076	REMACLEAN GRB Brush Assembly	54" to 60"

Belt cleaning brush assemblies come complete with motor, brush and mounting brackets.

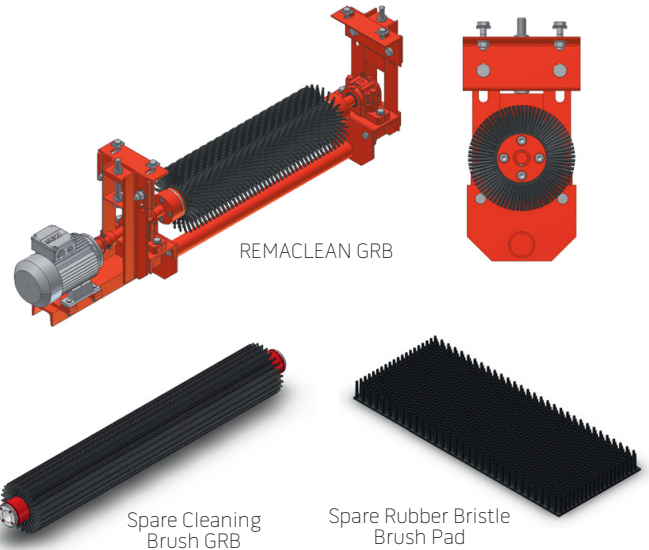
Replacement Parts

Part Number	Description
529 7100	Spare Rubber Bristle Brush Pad 12" x 29" x 2"

Spare Cleaning Brushes GRB

Consists of shaft set made from steel with attached rubber bristles in standard quality.

Part Number	Description	Belt Width
578 4400	REMACLEAN spare cleaning brush GRB	16"
578 4417	REMACLEAN spare cleaning brush GRB	20"
578 4424	REMACLEAN spare cleaning brush GRB	26"
578 4431	REMACLEAN spare cleaning brush GRB	31"
578 4448	REMACLEAN spare cleaning brush GRB	39"
578 4455	REMACLEAN spare cleaning brush GRB	47"
578 4462	REMACLEAN spare cleaning brush GRB	55"
578 4479	REMACLEAN spare cleaning brush GRB	63"
578 4486	REMACLEAN spare cleaning brush GRB	71"
578 4493	REMACLEAN spare cleaning brush GRB	78"



REMACLEAN GRB Belt Cleaning Brush: Technical Data

Belt Width	Brush Material	Max Operating Temp (°F)	Max Operating Temp (°C)	Voltage	Operating Speed	Max Belt Speed
30" to 60"	Rubber	158	70	220	900 RPM	500 fpm