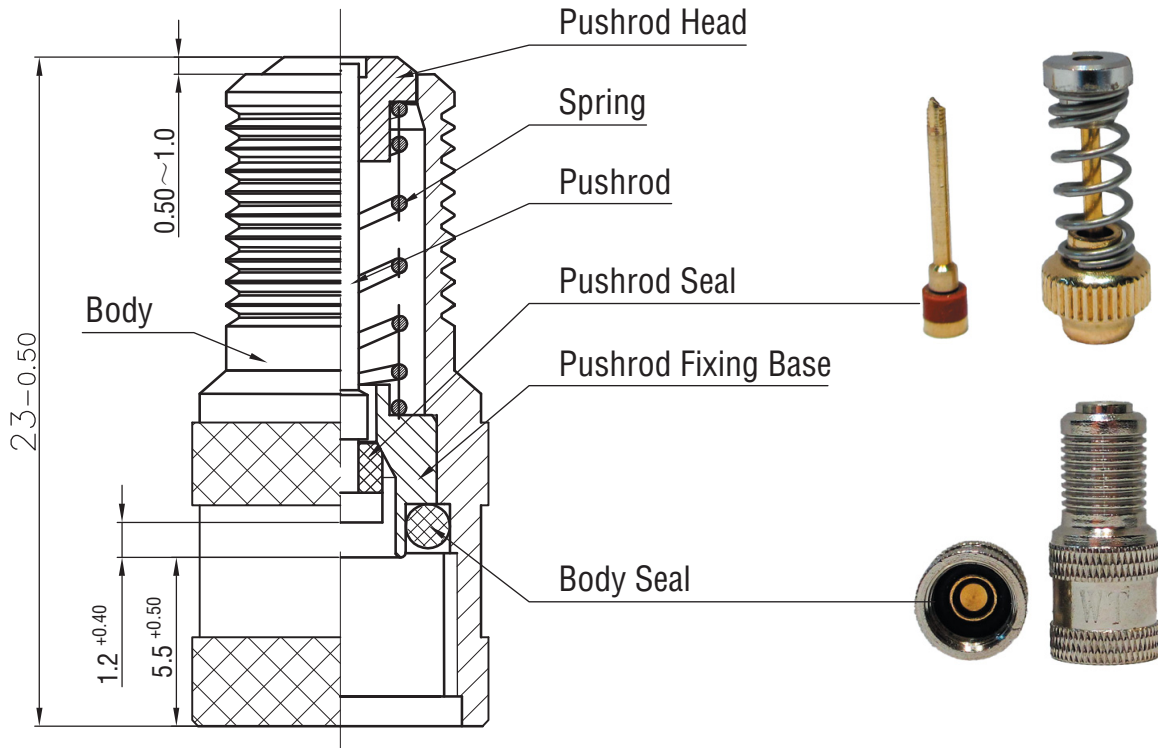




// ONE BRAND // ONE SOURCE // ONE SYSTEM

410-D / Double Seal Valve Cap – High Temperature

Replaces standard valve caps on valve stems, enabling the operator to check pressure or inflate tires without removing the cap. Temperature rated seal: -40°F to 212°F.



Part No	Description	Effective Length (inch)	Box/Qty
410-D	Double seal cap, high-temperature	$\frac{3}{4}$	50

REMA TIP TOP/North America, Inc.

300 Tice Blvd, Suite 250 · Woodcliff Lake, NJ 07677 · Phone 800.225.REMA (7362) · 201.768.8100 · Fax 800.338.REMA (7362) → www.rematiptop.com