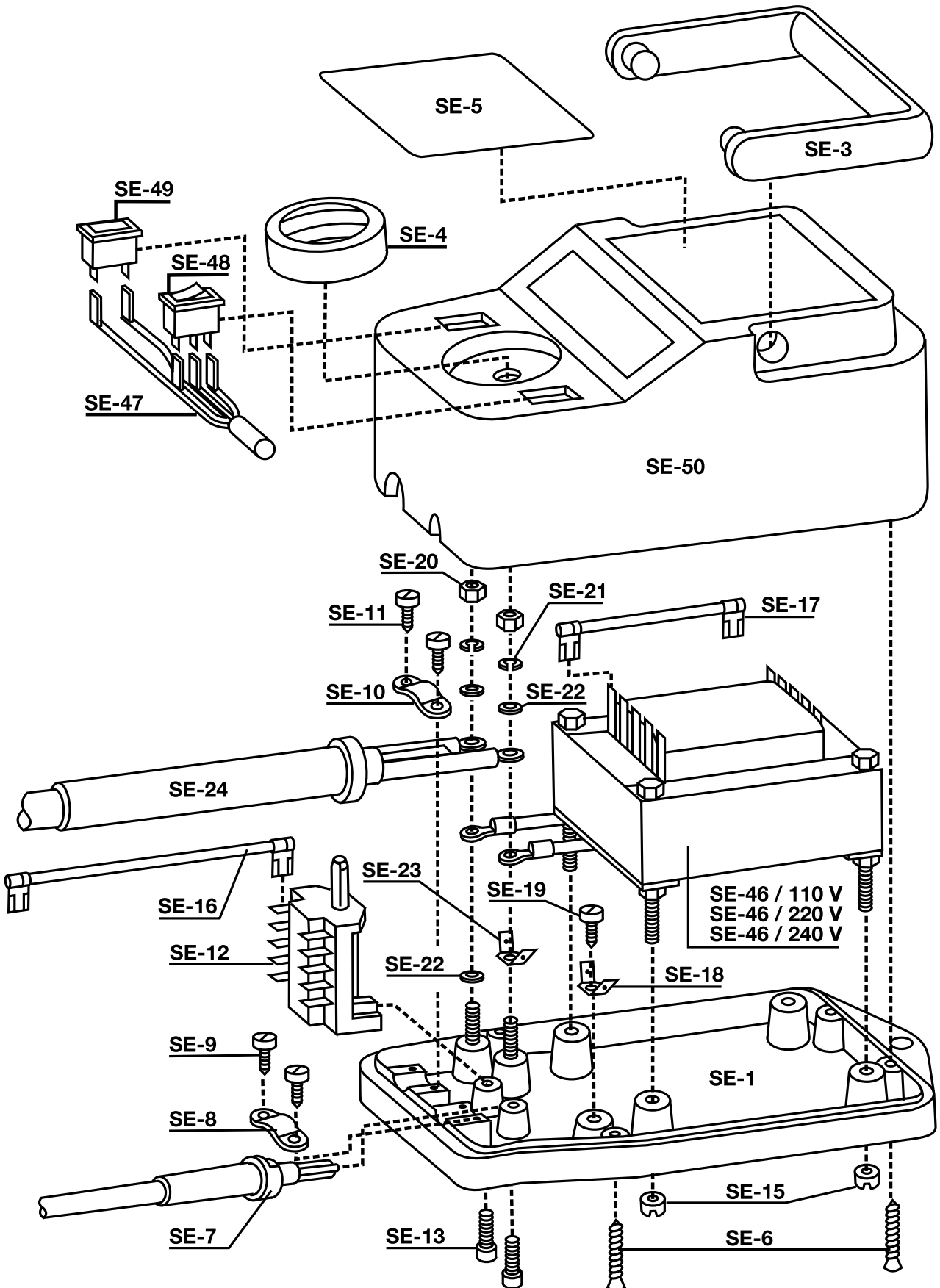
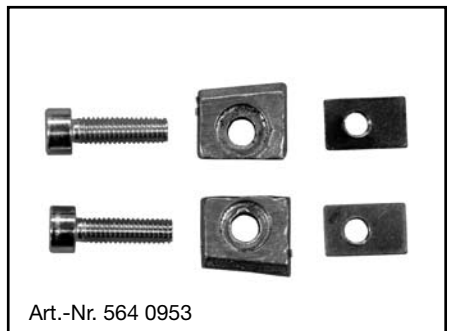
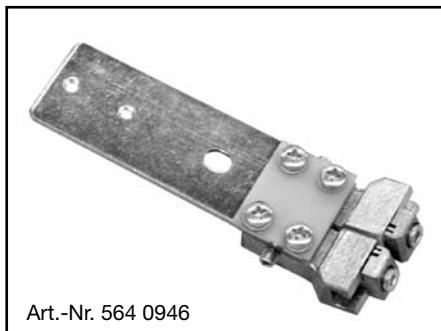
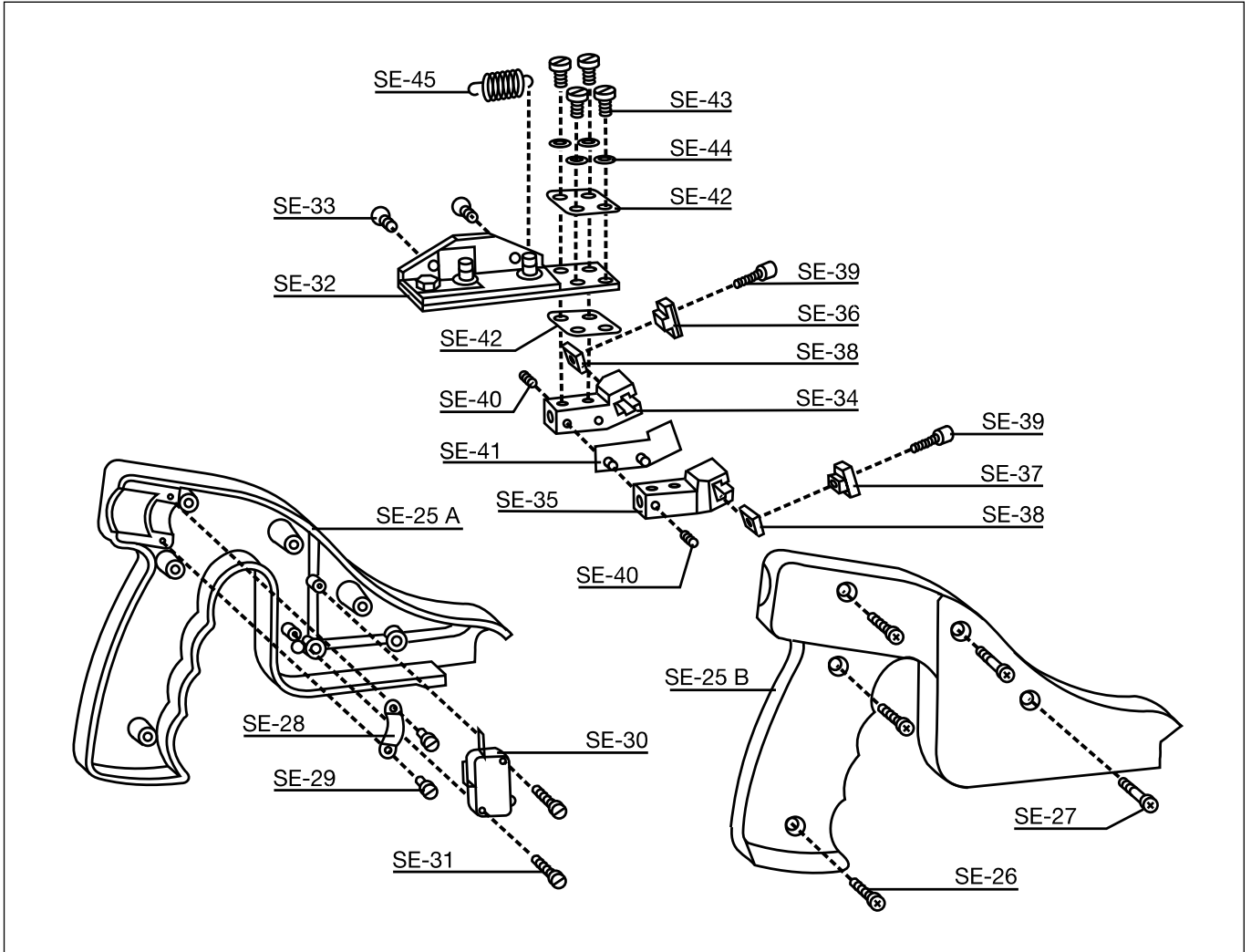


RUBBER-CUT 400





X. Spare Parts List

Pos.	Ref. No.	Description
SE-1	564 0018	Base plate
SE-3	564 0032	Carrying strap
SE-4	564 0049	Rotary switch 0-4
SE-5	564 0056	Label
SE-6	5640269	PT screw 5.0 x 23 mm
SE-7	564 0070	Mains cable
SE-8	564 0087	Strain relief clip, size 1
SE-9	564 0094	Fillister head tapping screw 2,2 x 6,5 mm
SE-10	564 0104	Strain relief clip, size 2
SE-11	564 0111	Tapping screw with countersunk head 3.5 x 13 mm
SE-12	564 0128	Rotary switch
SE-13	564 0135	Hexagon socket screw M4 x 14 mm
SE-15	564 0159	Slotted round nut M5
SE-16	564 0166	Connection cord, complete
SE-17	564 0173	Earth cord (ge/gr)
SE-18	564 0180	Flat plug 2 x 6,3 mm M3
SE-19	564 0197	Fillister head tapping screw 2,9 x 6,5 mm
SE-20	564 0207	Hexagon nut M5
SE-21	564 0214	Lock washer M5
SE-22	564 0221	Washer 5,3 mm M5
SE-23	564 0238	Flat plug 2 x 6,3 mm M5
SE-24	564 0939	Cable for cutting head
SE-26	564 0269	PT screw 5.0 x 23 mm
SE-27	564 0276	PT screw 5.0 x 36 mm
SE-28	564 0087	Strain relief clip, size 1
SE-29	564 0094	Fillister head tapping screw 2,2 x 6,5 mm
SE-30	056 4030	Microswitch 16 (4) A/250 V
SE-31	564 0317	Fillister head tapping screw 2.9 x 16 mm
SE-32	564 0324	Switching mechanism
SE-33	564 0331	Flat head screws M5 x 12 mm
SE-34	564 0348	Left clamping jaw
SE-35	564 0355	Right clamping jaw
SE-36	564 0362	Left blade holder
SE-37	564 0379	Right blade holder
SE-38	564 0386	Clamping element
SE-39	564 0403	Hexagon Allen screw M5 x 8 mm
SE-40	564 0403	Set screw M5 x 8 mm
SE-41	564 0410	Insulating web plate
SE-42	564 0427	Insulating plate
SE-43	564 0434	Fillister head tapping screw M4 x 10 mm
SE-44	564 0441	Spring washer size 4
SE-45	564 0458	Tension spring
SE-46	564 0568	Transformer 110 V with 8 positions
SE-46	564 0575	Transformer 230 V with 8 positions
SE-46	564 0582	Transformer 240 V with 8 positions
SE-47	564 0472	Bunched cables
SE-48	564 0489	Min-max switch
SE-49	564 0496	Indicator lamp
SE-50	564 0025	Upper part of casing
Abb.	564 0908	RC handle, complete with cable for cutting head
Abb.	564 0915	Left and right half of handle together wit screw
Abb.	564 0922	Casing of RC transformer with base plate, handle, 4 screws and label
Abb.	564 0946	RC cutting head, complete wit clamping jaws, insulating parts and sliding plate
Abb.	564 0953	Set: RC cutting head, clamping jaws together wit screws
Abb.	564 0960	RC hexagon Allen key

Further Rubber-Cut Spare Parts

Ref. No.	Description
564 2803	R FIX 1, 3 - 4 mm
564 2810	R FIX 2, 5 - 6 mm
564 2827	R FIX 3, 6 - 8 mm
564 2834	R FIX 4, 9 - 10 mm
564 2841	R FIX 5, 10 - 14 mm
564 2858	W FIX 1, 3 - 4 mm
564 2865	W FIX 2, 5 - 6 mm
564 2872	W FIX 3, 6 - 8 mm
564 2889	W FIX 4, 9 - 10 mm
564 2896	W FIX 5, 10 - 14 mm
564 2906	W FIX 6, 22 - 28 mm